

XE60DA

**NEW
PRODUCT**

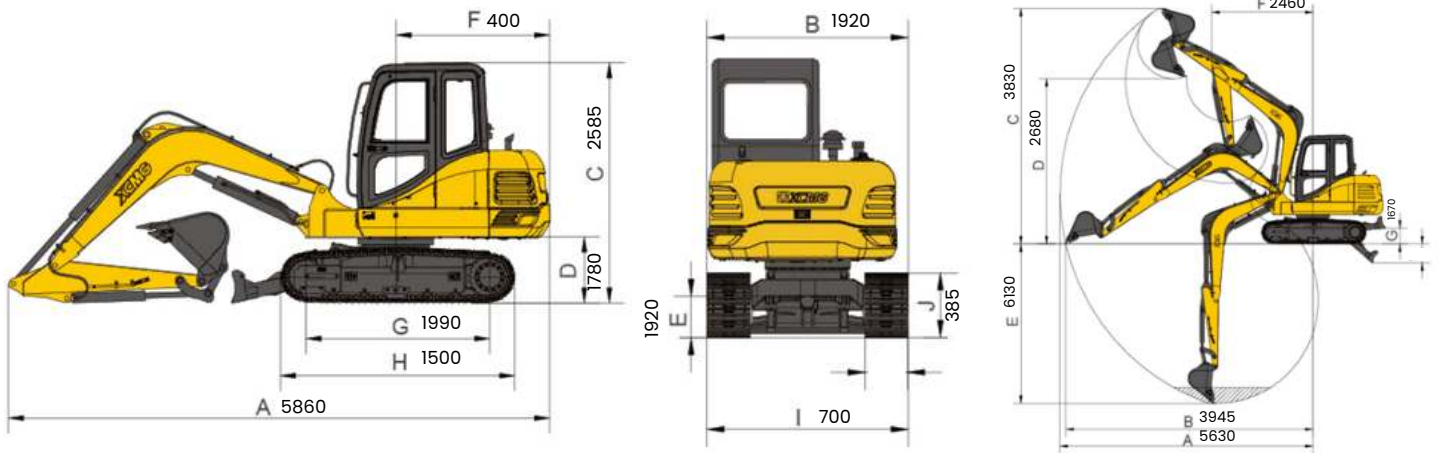


Engine Model	: Yanmar 4TNV94L
Rated Power	: 36.2 kW
Operational Weight	: 6010 kg
Rated Bucket Cap.	: 0.23 m³
Rated Speed	: 2100 rpm
Swing Speed	: 10 rpm

Workshop :

Pergudangan SiRIE Blok Q-72
Jl. Raya Lingkar Timur KM 5.5
Rangkah Kidul, Sidoarjo
No. Telp : (031) - 99729729

APPEARANCE



SPECIFICATION

Description		Specification	Units
Operating Weight		6010	kg
Bucket Capacity		0.23	m³
Engine	Model	4TNV94L-BVXG	
	No. of Cylinders	4	
	Rated Power	36.2 / 2100	kW / rpm
	Maximum Torque / Speed	193.2-210.6 / 1260	N.m / rpm
	Displacement	3.054	L
Main Performance	Travel Speed (H/L)	4.2 / 2.2	km/h
	Swing Speed	10	r/min
	Gradeability	35	°
	Ground Pressure	32.5	kN
	Bucket Digging Force	48.3	kN
	Arm Digging Force	32.5	kN
	Maximum Tractive Force	50.5	kN
	Hydraulic System	Rated Flow of Main Pump	151.2
Main Safety Valve Pressure		24.5	MPa
Travel System Pressure		24	MPa
Swing System Pressure		23	MPa
Pilot System Pressure		3.5	MPa
Oil Capacity	Fuel Tank Capacity	110	L
	Hydraulic Tank Capacity	85	L
	Engine Oil Capacity	10	L
Standard	Length of Boom	3000	mm
	Length of Arm	1600	mm

Struktur, warna, dan spesifikasi dapat berubah tanpa pemberitahuan.
Harap hubungi kontak yang tertera untuk informasi lebih lanjut.